

19" Wall Mounting Cabinet

10U x D450 mm

Item no.: LVR240020



PRODUCT OVERVIEW

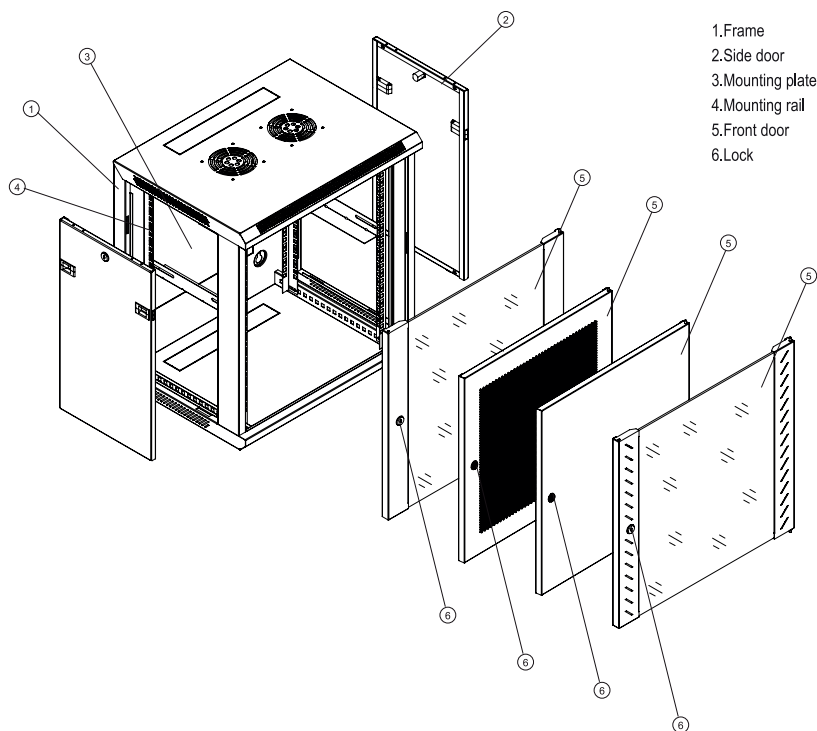
Wall-mounted 600mm wide rack cabinet designed for the installation of both cabling and equipment. Suitable for multiple applications including local area networking (LAN) cabling and hardware, and the housing of surveillance and audio visual equipment.

SPECIFICATIONS

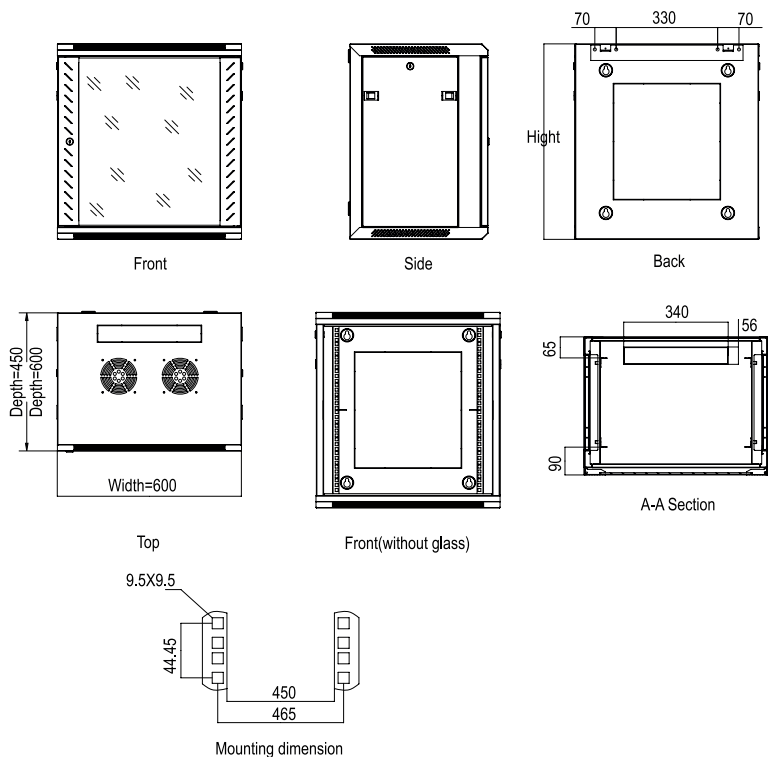
Type	Wall mounted rack cabinet
Modular spacing	19"
Rack capacity	10U
Color	Black
Material	Steel
Front door	Plate
Front door key lock	Yes
Removable front door	Yes
Removable side panels	Yes
Mounting profile	Front and rear
Rail thickness	1.5 mm
Ventilation	Passive, space for 2 fans

Industry standard compliance	Comply with ANSI/EIA RS-310-D, DIN41491; PART1, IEC297-2, DIN41494; PART7, GB/T3047.2-92 standard. Compatible with metric, ETSI and 19' international standard
Width	600 mm
Height	553 mm
Depth	450 mm
Maximum weight capacity	60 kg
Package	Flatpack

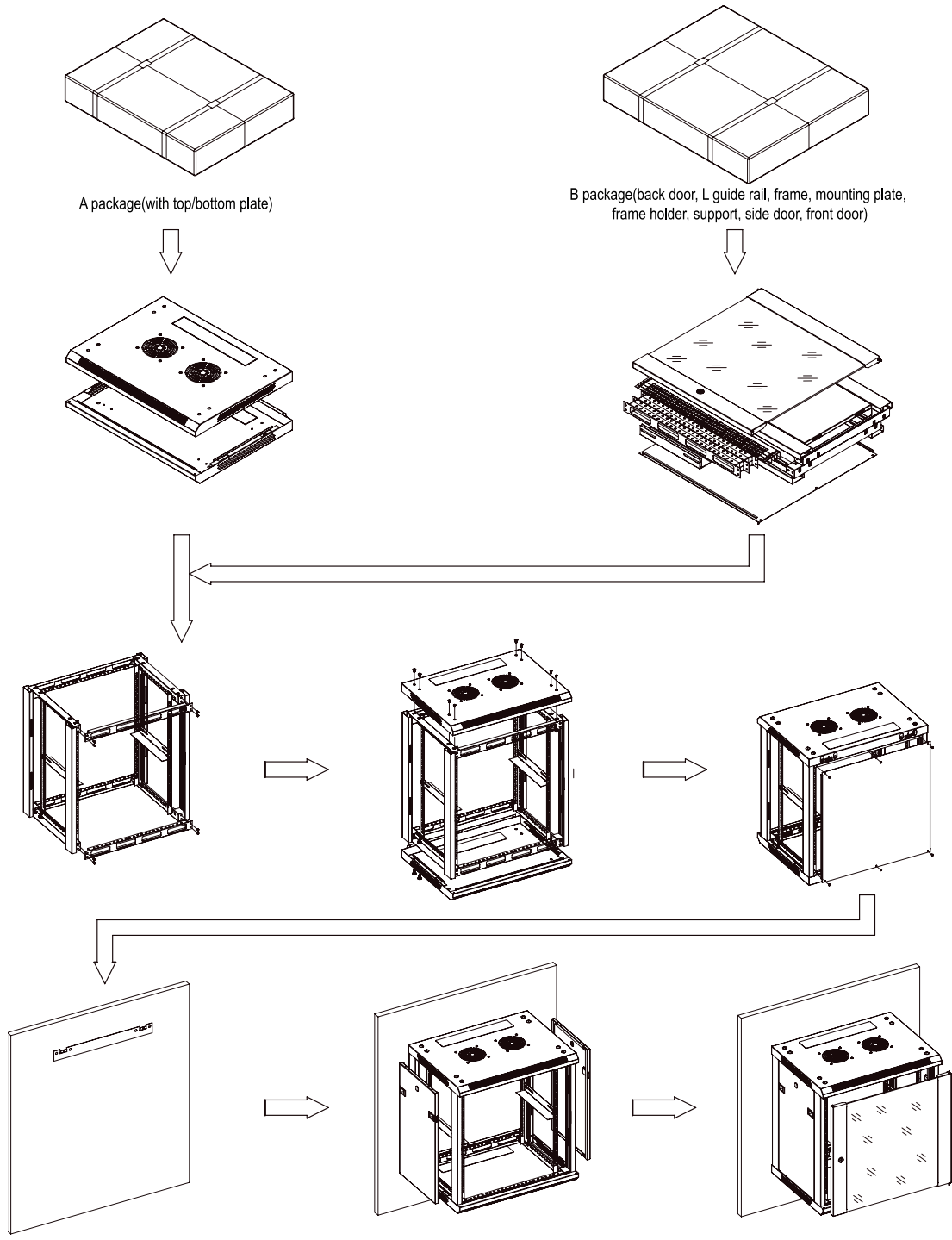




- 1. Frame
- 2. Side door
- 3. Mounting plate
- 4. Mounting rail
- 5. Front door
- 6. Lock



19" Wall Mounting Cabinet 10U x D450 mm



19" Wall Mounting Cabinet 10U x D450 mm