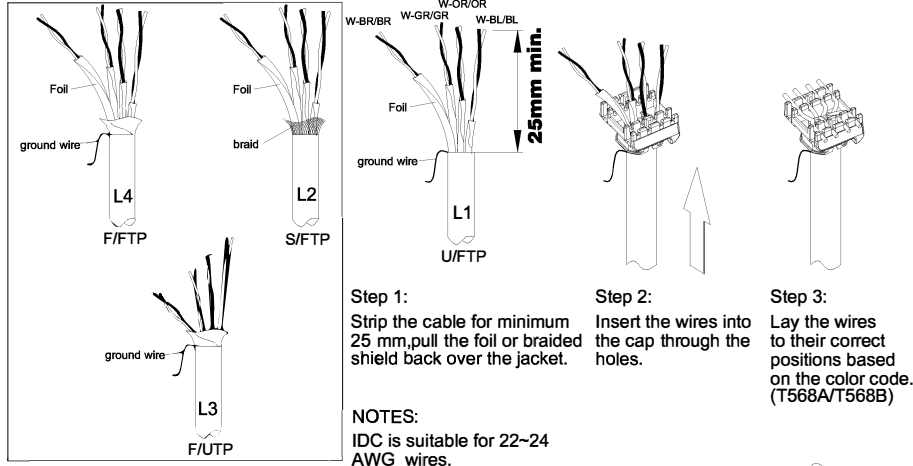


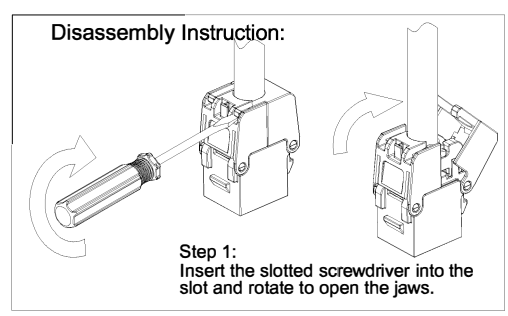
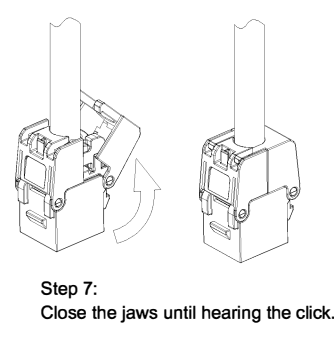
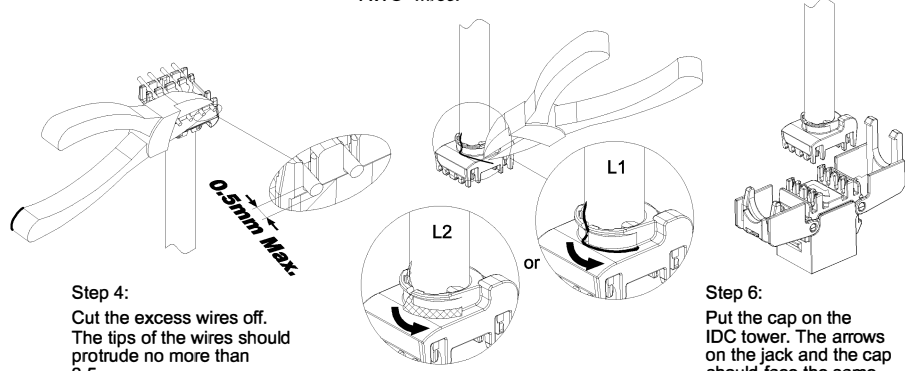
REVISIONS				
ZONE	REV	DESCRIPTION	DATE	DRAWN
	A	EG13042投轉單	08/27'13	<i>Tyron Wang</i>

Instruction Sheet



- Step 1:** Strip the cable for minimum 25 mm, pull the foil or braided shield back over the jacket.
- Step 2:** Insert the wires into the cap through the holes.
- Step 3:** Lay the wires to their correct positions based on the color code. (T568A/T568B)

NOTES:
IDC is suitable for 22-24 AWG wires.



120.00

180.00

UNLESS OTHERWISE SPECIFIED:		PROJECT ID		TITLE	
X ± .018	X ± .008	FILE	L4097.dwg	DATE	
X ± .004	X ± 0.1	DRAWN	<i>Tyron Wang</i>	08/27'13	說明書
		CHECK			
SCALE 1:1				UNIT mm	SHEET 1 OF 1