

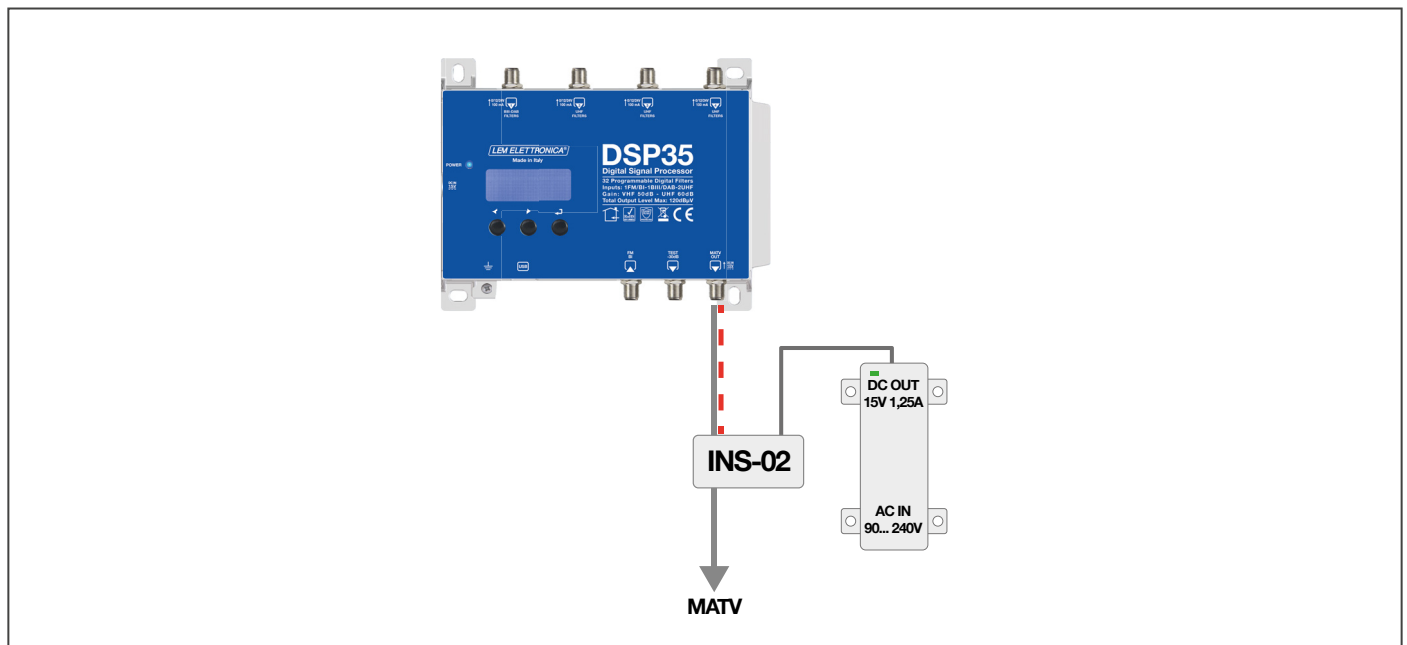
INS-02

DC Coaxial Directional Injector

- Diode protected against DC polarity inversion
- Short circuit protected
- Over current protected
- Low pass through loss



TECHNICAL SPECIFICATIONS		INS-02
TRUNK FREQUENCY RANGE	MHZ	5... 900
N° RF INPUTS / OUTPUTS		1/1
TRUNK LOSS	dB	0,4
RETURN LOSS	dB	≥15
DC VOLTAGE RANGE	Volt	15... 20
MAXIMUM RATED COURRENT	A	2,0
DIAMETER DC POWER JACK INPUT	mm	2,10
OPERATING TEMPERATURE RANGE	°C	0... 40
DIMENSIONS	mm	57x59x27



Example of application of the coaxial DC injector **INS-02** to remotely power the programmable TV Terrestrial amplifier **DSP35** from the MATV output.