

## Multiband TV Mast Amplifiers - new range

# MAP EVO

## TV multiband amplifiers



**MAP EVO:** the new generation of multiband TV mast amplifiers.

### RED Compliant!!

The new range of **MAP EVO** multiband amplifiers, fully designed and produced by FRACARRO, have been carefully sized to ensure they are **fully compliant with the regulatory requirements in terms of Safety and Radio Spectrum and also to Electromagnetic Compatibility** contained in the recent European directives (RED Compliant).

### New feature (Clipper)

Some models of the new mast amplifiers have been equipped with the innovative “**Clipper**” circuit which automatically limits the gain of the UHF input to guarantee the maximum RF output level and at the same time minimizes the intermodulation (RED compliant).

The **MAP EVO** mast amplifiers are equipped with **separate VHF/UHF amplification** and independent management of the input signals. They also offer **high shielding against LTE interference, thanks to the brand new die-cast frame that encloses the amplification section.**

The **new outdoor plastic housing (ABS)** has a simple slide and easy tilt opening for the amplification section, facilitating the installer's work during cable connection and installation of the mast amplifier.

In the range there are several MAP EVO models, which enable the user to **separately adjust the gain (0-15 dB)**. They all have a **high output level** (up to 116dBuV in UHF band) and Low Noise Figure, enabling them to provide the correct RF signal even in a medium TV coaxial distribution system.

On all **MAP EVO** amplifiers it is possible to insert a remote supply on to a UHF input and each amplifier is equipped with an LED power status, very useful to immediately detect the presence of short-circuits in the RF connection cables.

## Main Specifications

- **RED Compliant:** each model complies to the Radio Spectrum and the Electromagnetic Compatibility and Safety indicated in recent European directives.
- **CLIPPER Technology:** automatic circuit (made by **FRACARRO**) which limits the gain of the UHF input in order to guarantee the maximum RF output level and at the same time minimising the intermodulation
- **Separate Amplification:** the new MAP EVO multiband mast amplifiers work on VHF-UHF "separate amplification" and the RF signal is managed independently coming from different aerials.
- **High shielding against LTE interferences (LTE Free).**
- **Low Noise Figure amplifiers**
- **Protective shell (ABS):** the new **MAP EVO** has a simple slide and easy tilt opening for the amplification section, facilitating the installer's work during cable connection and installation of the mast amplifier.
- **Dip-switch** to enable the remote power supply on the UHF input or on V+U input, depending on the model
- Power Supply **LED Status.**
- Different models (12Vdc or 24Vdc)

Fracarro Code	Item	N° of inputs	Inputs	N° of outputs	Max. Gain (dB)	VHF/UHF Max output level (dBuV)	Consumption (mA)	VHF/UHF Noise figure (dB)	Packaging* (pc)	Bar code
223701	MAP4r3+U LTE+	1	3+DAB+UHF(+dc)	1	22,42	112/116	125@12V	6.4	1	8016978100385
223702	MAP4rU LTE+	1	UHF(+dc)	1	42	116	100@12V	3	1	8016978100422
223703	MAP2r3+U LTE	1	3+DAB+UHF(+dc)	1	20,25	112/116	80@12V	5.4	1	8016978100446
223704	MAP4rU LTE700+	1	UHF(+dc)	1	42	116	100@24V	3	1	8016978100453
223706	MAP4r3U LTE+	2	3+DAB, UHF(+dc)	1	22,42	112/116	125@12V	5.3	1	8016978100392
223707	MAP3r3U LTE	2	3+DAB, UHF(+dc)	1	21,28	112/116	80@12V	5.4	1	8016978100330
223708	MAP3r3+UU LTE	2	3+DAB+UHF, UHF(+dc)	1	28,28	112/116	60@12V	7.7	1	8016978100378
223709	MAP3r3UU LTE	3	3+DAB, UHF, UHF(+dc)	1	21,28,28	112/116	105@12V	6.7	1	8016978100347
223710	MAP4r3UU LTE+	3	3+DAB, UHF, UHF(+dc)	1	22,40,40	112/116	125@12V	5.7	1	8016978100408
223711	MAP3rFM+3U 700	2	FM+3+DAB, UHF(+dc)	1	22,28	112/116	85@24V	5.4	1	8016978100415
223712 (**)	MAP3r3UU 2LTE	3	3+DAB, UHF, UHF(+dc)	2	26,28,28	112/116	140@12V	5.7	1	8016978100842
223713 (**)	MAP3rFM+3UU 2LTE	3	FM+3+DAB, UHF, UHF(+dc)	2	26,28,28	112/116	140@12V	5.7	1	8016978100859
223714	MAP2r345U LTE	4	3+DAB, 4, 5, UHF(+dc)	1	21,25,25,25	112/116	80@12V	5.7	1	8016978100361
223715 (**)	MAP2r345U LTE/. (special settings)	4	3+DAB, 4, 5, UHF(+dc)	1	21,25,25,25	112/116	80@12V	5.7	1	8016978101542
223716 (**)	MAP2rFM3USAT	4	FM, 3+DAB, UHF(+dc), SAT	1	22,20,25,-1(DiSeqC)	112/116	80@12V o STB	6.6	1	8016978100439

Definitive specifications may change without notice.

In standard models, B4 includes channels from E21 to E35 and B5 includes channels from E36 to E60.

For "special settings" versions, it is necessary to specify the last RF channel in B4 and the first channel in B5 during the order process.

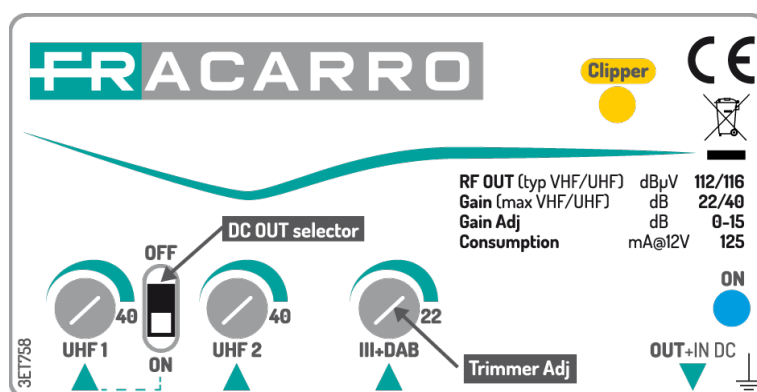
(\*) During the market launch phase, the individual packaging could be not provided.

(\*\*) Models available in 2018.

General Features (*)		
Power supply	Vdc	12 to 24 (depending on the model)
LTE selectivity	dB	>15 @ 790MHz, >30@862MHz >15 @ 703MHz, >30 @ 862MHz (on LTE700 models)
Connectors	Tipo	F female
Dimensions (L x H x D)	mm	120 x 105 x 50 (item) – 124 x 110 x 56 (with package)
Weight	Kg	0,26
IP Protection		IP43 (ABS)
Operating temperature	°C	-10 to +55
Compliant		The full text of the EU declaration of conformity is available at the following internet address: <a href="http://ce.fracarro.com">http://ce.fracarro.com</a>

(\*) Definitive specifications may change without notice.

## Details

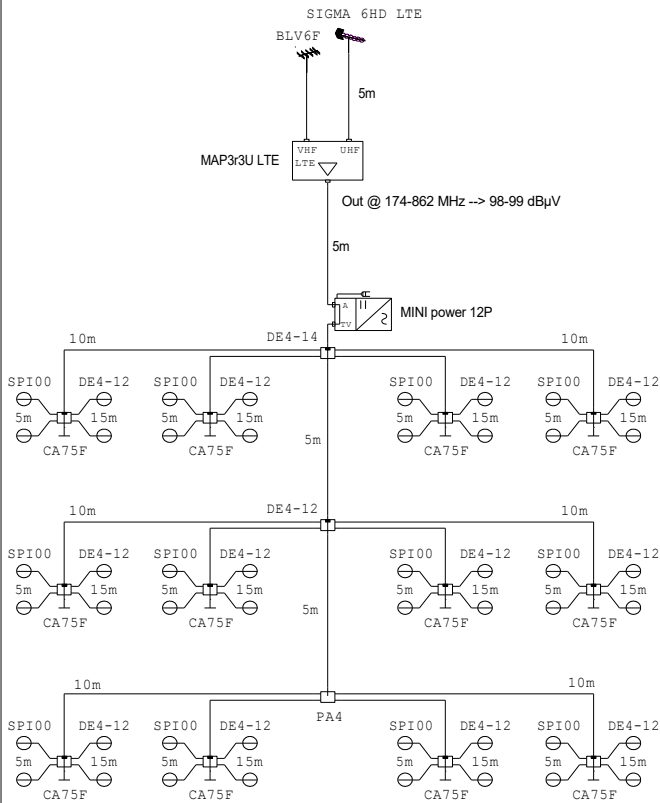


(All the main data is written on the product label)



(The MAP EVO settings are simple and intuitive)

## MAP EVO (Installation example)



All the adjustments for the input gains, the LED and the CLIPPER circuit (where present) can be easily identified thanks to the indications shown on the product label.

High shielding against LTE interference, thanks to the new die-cast frame and metal cover.

The new MAP EVO mast amplifiers are equipped with a dip-switch suitable to insert the remote power supply to one of the UHF inputs, as well as LEDs to indicate correct operation.

More typical schematic installation examples are available to download from [www.fracarro.com](http://www.fracarro.com).