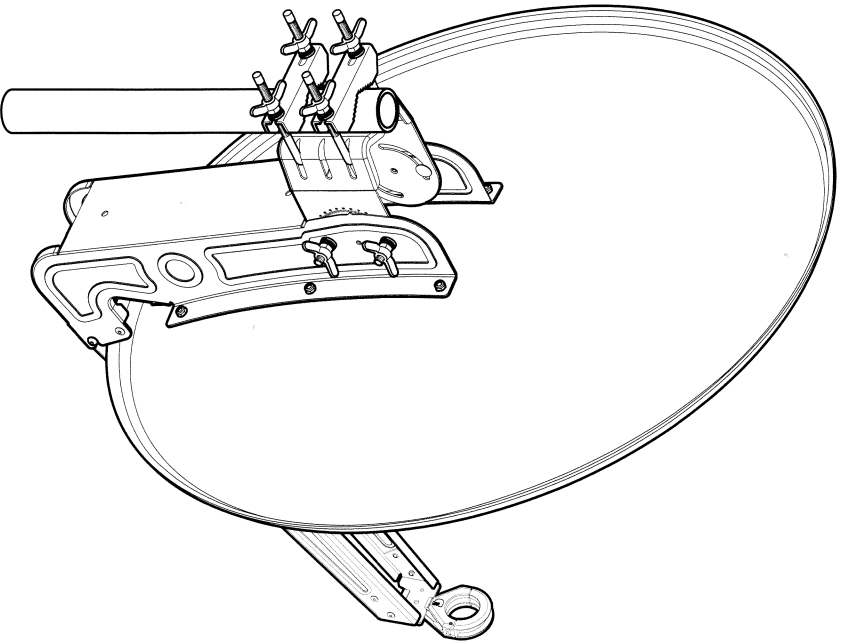




**FERBERTINI**®



**SE series - 0P75SE - 0P85SE - 0P100SE**

satellite offset antenna Ø 75 - 85 - 100 cm

**Installation Guide**

## TECHNICAL SPECIFICATIONS

	OP 75 SE	OP 85 SE	OP 100 SE
Frequency range (GHz)		10.00 - 13.00	
Outside dimension (cm)	75.0 x 80.0	85.0 x 90.5	97.0 x 104.0
Reflecting dimension (cm)	72.0 x 77.0	81.5 x 87.0	94.0 x 101.0
Illumination efficiency* (%)	69	69	70
Gain* @ 10.70 GHz (dBi)	36.60	37.80	39.00
Gain* @ 11.70 GHz (dBi)	37.40	38.50	39.70
Gain* @ 12.75 GHz (dBi)	38.20	39.20	40.50
Cross polarization* on axis (dBc)**	-24	-26	-28
First side lobe level* (dBc)**	-24	-24	-24
Noise temp.* @ 12GHz, 36° elevation (K)	42.0	40.0	38
F/D radio	0.67	0.67	0.66
3dB Beam width* @ 11.7GHz	2.2°	1.95°	1.7°
Offset pointing angle	21°	21.1°	21°
Feed illumination angle	70°	69°	70°
Feeder clamp (mm)		40/(23)	
Elevation angle		0°-90°	
Mast clamp (mm)		30-90	
Alu reflector thickness (mm)	1.0	1.2	1.5
Steel reflector thickness (mm)		n a	
Wind load @ 120 km/h (kg) [worst-case]	58	75	98
Antenna net weight*** (kg.)	6.5	8.3	10
Working temperature		-30° / +70°	
Humidity		0-100%	

\* Value with matched feed

\*\* Value @ 10.95 GHz and matched feed

\*\*\* Net weight without package

## WARNINGS

We strongly encourage you to read this manual before installation and use of the product and strictly observe the recommendation hereof.



Installation shall be carried out by qualified personnel. Mounting instructions has to be carefully observed.



For installation and use, please observe all specific regulation and laws applicable in the destination country.



Carefully read all safety regulations. Failure to observe the indications reported, can cause serious damages to third parties.

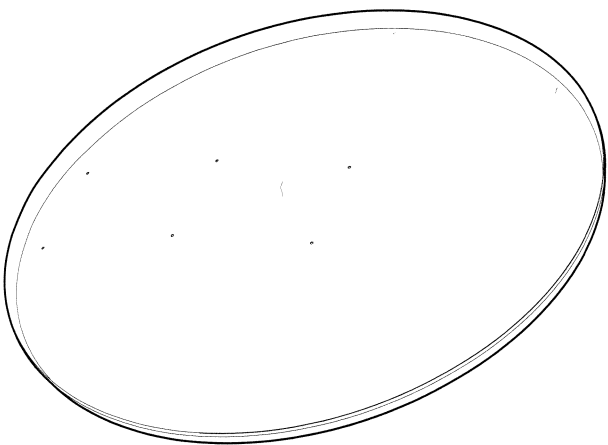


If not otherwise indicated, for tightening of screws, bolts and in general threaded rods, refer to applicable figures reported in Tab. 2 in the paragraph General Installation Instructions for GIBERTINI Antennas

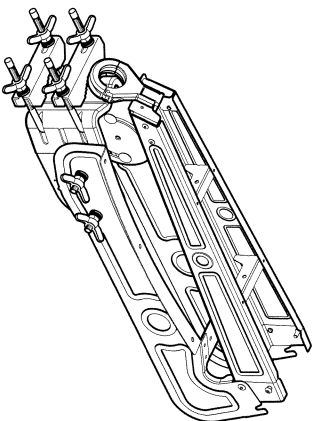
### NOTES ABOUT DISPOSAL

The barred bin symbol indicates that the product must be disposed of separately from other waste and cannot be thrown into the domestic waste at the end of its life. The user will therefore take the appliance at the end of its life to the suitable separated collection centres for metal parts waste in their own town. An adequate separated collection for sending of the appliance to recycling, treatment and environmentally compatible disposal helps to avoid possible negative effects on the environment and on health thus favouring the reuse and recycle of the materials of which the appliance is made of. The unauthorised disposal of the product by the user causes the application of administrative fees provided for by the regulation in force.



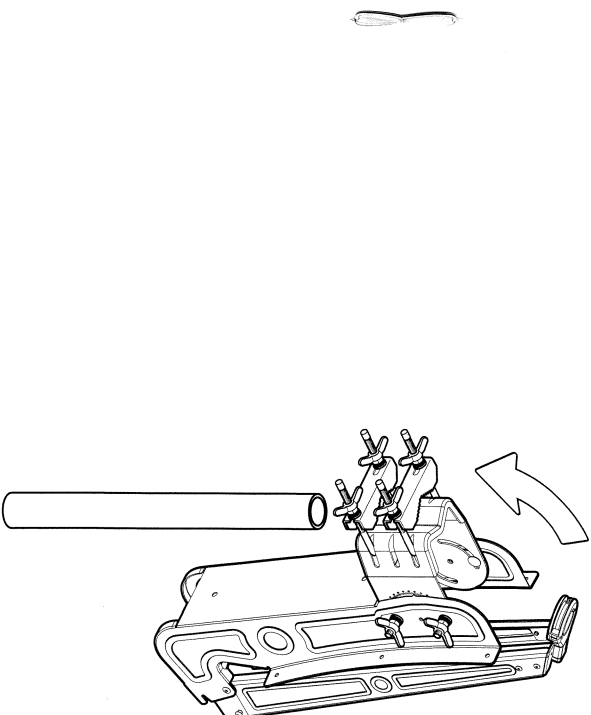


n° 1 Reflector

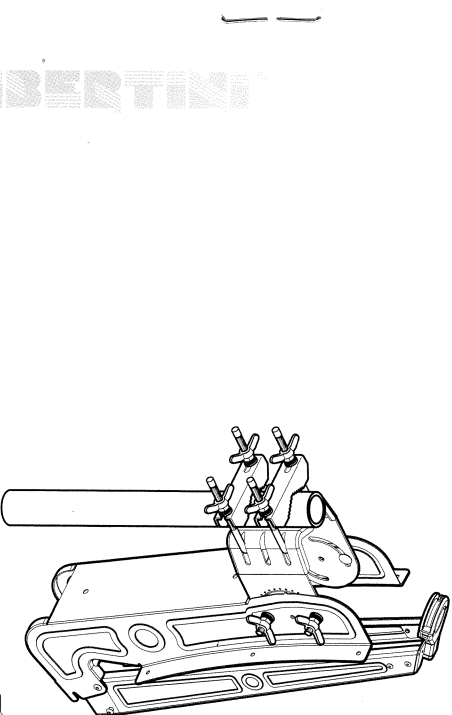


n° 1 Rear bracket

① Rotate the pole clamp unit



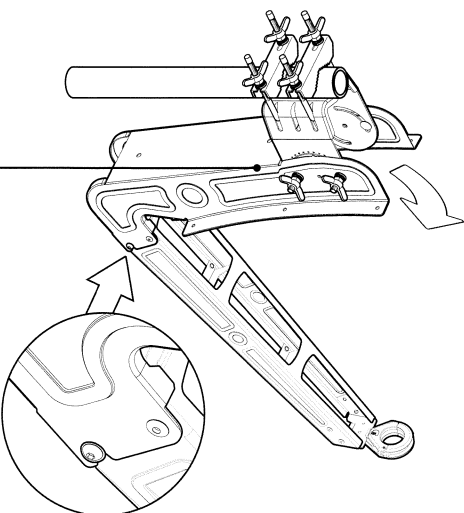
② Assembly of the rear bracket to the pole



A fixing pole with a diameter from 75mm up to 100mm and thickness of 3mm is highly recommended.

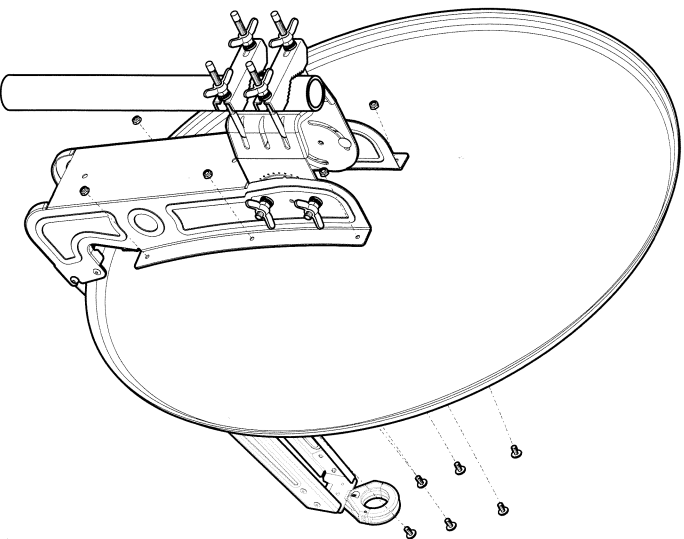
# ASSEMBLING STEPS

3 Rotate the feed arm and tight the screws



The graduated scale for elevation can be used for coarse pointing help, because the scale indication can be affected from errors (roof-pole perpendicularity for example). The fine regulation of the elevation pointing for optimized performances is left to the installer.

4 Assembly of the reflector on the bracket assy.



6

# GENERAL INSTALLATION INSTRUCTION

## for Gibertini antennas

### Installation

All GIBERTINI Antennas are manufactured using well certified materials and assembly components that ensure a reliable and long life product.  
 During installation, for proper use and safety, screws and bolts have to be used in proper indicated place without exchange in position (e.g. do not use a M4 bolt where an M6 is foreseen).  
 The personnel in charge of installation will be the sole responsible of the pole fixation on roof or wall, and have to take care of the proper tightening between antenna components. If not elsewhere indicated, the following table report the recommended tightening torque, in Newton \* meter, to be applied on different mechanical couplings.

Thread size	Tightening Torque Bolt/Nut assembly		Tightening Torque Bolt/Insert assembly	
	min [Nm]	max [Nm]	min [Nm]	max [Nm]
M3	1,1	1,5	0,7	1,1
M4	2,2	3,1	1,5	2,2
M5	4,2	6,0	2,9	4,2
M6	7,3	10,4	5,1	7,3
M8	17,1	24,4	12,0	17,1
M10	35,1	50,1	24,5	35,1

### Maintenance Plan

GIBERTINI Antennas have shown good durability even in worst conditions, provided that no permanent damages to plating or painting have been procured during the installation or due to other origins after installation.  
 Nevertheless, a periodic maintenance enforce the warranty validity and help in order to elongate the life of the assembly.

Period	General care	Paint	Zinc plating
Every two years or in case of storm wind and/or strong hailstorm	Verify the integrity of the antenna assembly. Clean with a conventional duster the dish surface and the LNB feed -do not use solvents for normal cleaning- dry cleaning is normally enough, use water or alcohol to remove solid attached elements, dry with a cloth.	If the painting has been ruined, remove gently the rust, if present, using a fine abrasive paper (type 00), then clean with acetone, chloroform or similar oil free solvent, dry and than repaint with two pass of -water based- opaque paint of the proper RAL. (Conventional paint used in car repair. Please refer to the paint Manufacturer recommendations for the latency time between the painting).	If damaged due to environmental corrosion, zinc plating can be restored with a chemical zinc spray (ZINIK TK0105 by TEKNIKA -Italy- or similar products from other Manufacturers like TALKEN, etc.); Using a metallic brush remove oxidation and rust if present, clean with acetone, chloroform or similar oil free solvent and live it to dry. Apply one or two pass of spray zinc, having care to cover uniformly all the exposed surfaces (this apply specifically the clamp brackets). Carefully follow the indications of the spray zinc Manufacturer.
		<p>⚠ Chemical solvents are flammable and volatile : do not expose directly, protect with mask and gloves. Use only opaque paints. Brilliant paints can over heat the LNB "cooking" it with permanent damages.</p> <p>⚠ The spray contain Toluene, flammable, do not expose to fire, do not smoke, do not dry with direct flame or hot air fions at temperature higher than 30°C. Vapors can cause irritation and narcotic effects, protect with mask and gloves.</p>	

7



**Gibertini Srl**  
Via F. Santi, 21  
20037 Paderno Dugnano (MI)  
gibertini@gibertini.it  
www.gibertini.it